

#10-32 SHUTTLE VALVES



Shuttle Valves

There are three models of shuttle valves offered by Clippard. These valves feature a shuttle that allows flow from one inlet to the outlet while blocking the other inlet. They may be mounted directly to valves and cylinders or in-line using the hose barbs on the MSV models.

Poppet type shuttle (double check) valve.
Brass body, and poppet, Buna-N seal



Medium: Air, Water or Oil

Input Pressure: 250 psig/17.5 bar max.

Air Flow: 5.0 scfm @ 50 psig; 9.5 scfm @ 100 psig; 230 l/min @ 6 bar

Mounting: Direct or in-line

Operation: Flow from "A" to "C" or "B" to "C"

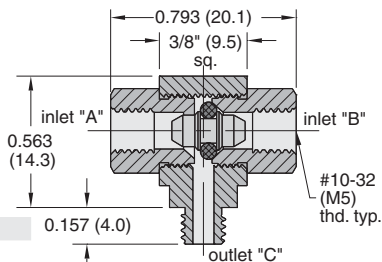
Pressure to Shift: 1/2 psig approx.

Exhaust: Through port where pressure was last applied

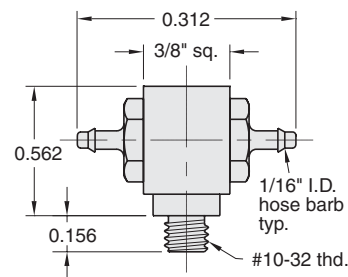
Note: Shuttle valves should not be used as a pressure selector



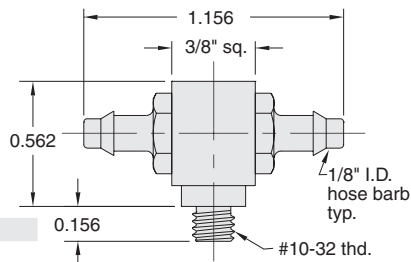
Part No.
MSV-1
MSV-1-M5



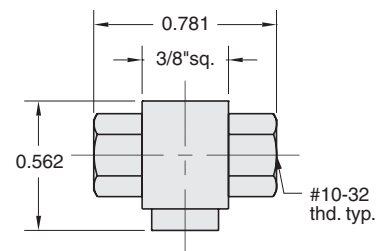
Part No.
MSV-1M22



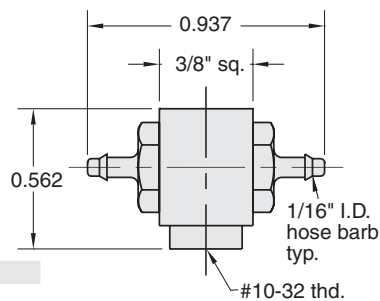
Part No.
MSV-1M44



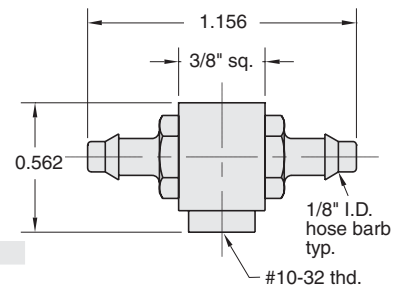
Part No.
MSV-1FFF



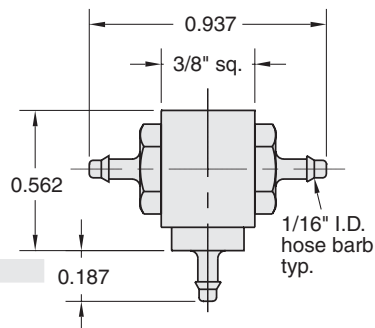
Part No.
MSV-1F22



Part No.
MSV-1F44



Part No.
MSV-1222



Part No.
MSV-1444

